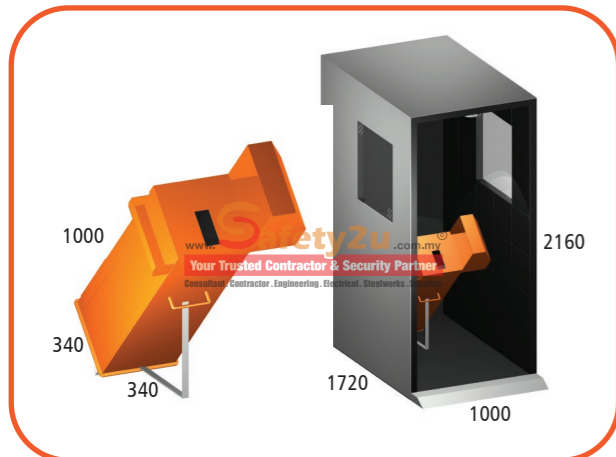
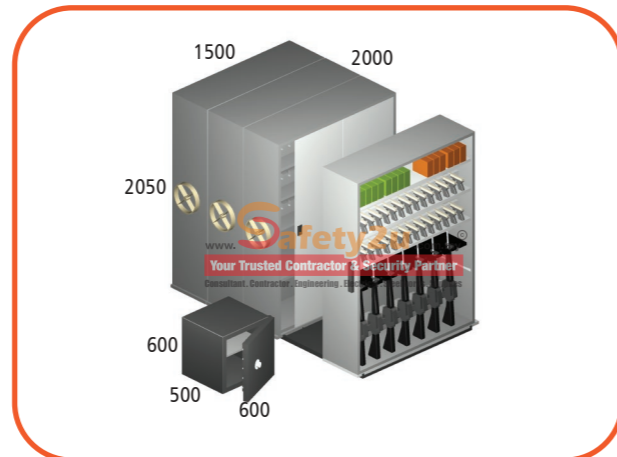




Consultant. Contractor. Engineering. Electrical. Steelworks. Supplies



S2U CLEARING CHAMBER & BOOTH



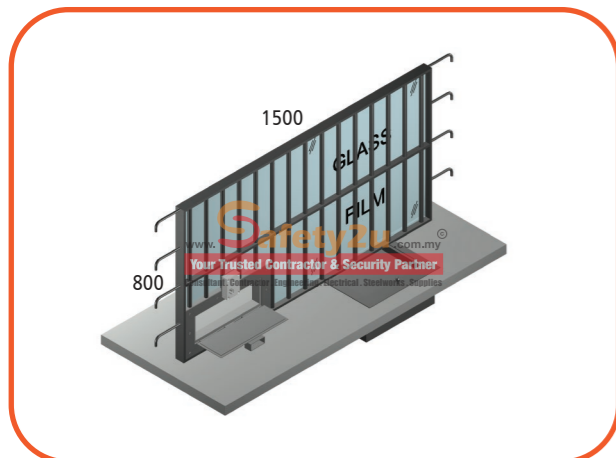
S2U GUNRACK & S2U STORAGE



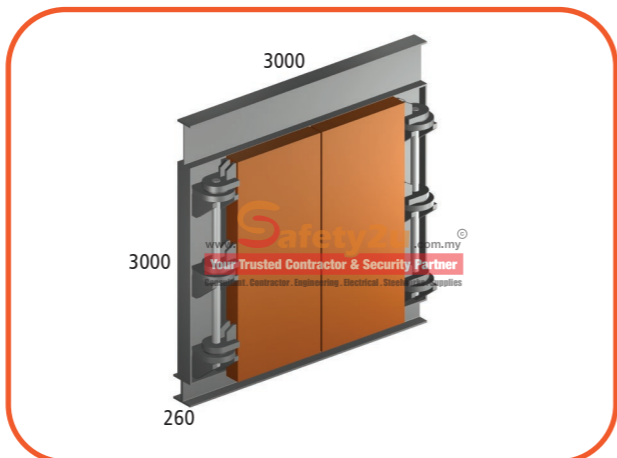
S2U HAZARDOUS STORAGE, PANIC ROOM @ BUNKER



S2U WEAPONRY SERVICE TABLE



S2U SECURITY COUNTER



S2U L/XL ARMORED DOOR

\*Illustration purposes only



EMIR BINA SDN. BHD. (1050178-M)  
403, A, Blok 1,  
Laman Seri Business Park,  
Persiaran Sukan, Seksyen 13,  
40100 Shah Alam,  
Selangor Darul Ehsan, Malaysia.

T +603.5524.4467  
+603.5524.4468  
F +603.5524.4463  
E emirbinagroup@gmail.com



#safety2u  
www.emirbina.com.my  
+6019.335.7862



www.emirbina.com.my

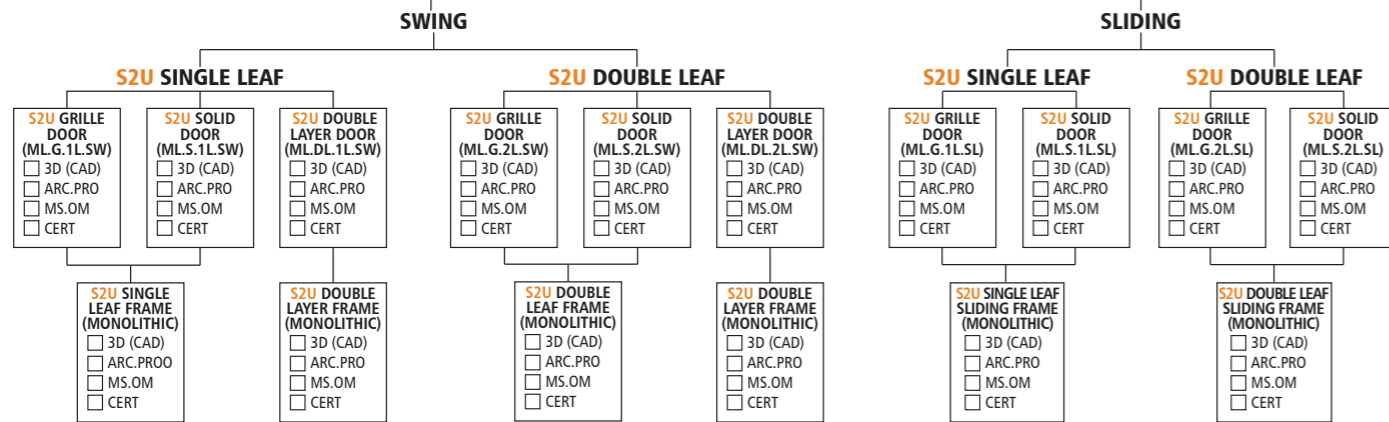
# CATALOGUE CHART

- 1. DETENTION (ASTM/SIRIM)
- 2. BURGLARY MATERIAL
- 3. BALLISTIC MATERIAL
- 4. FIRE-RATED MATERIAL
- 5. EXPLOSIVE MATERIAL
- 6. ACOUSTIC MATERIAL

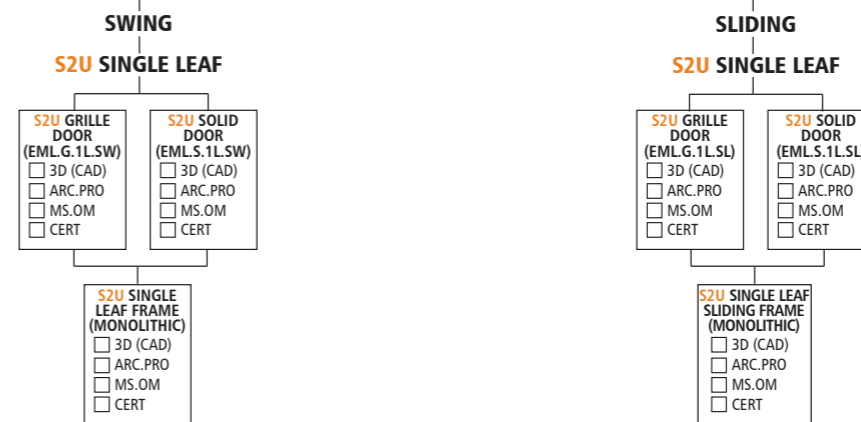
DOOR CODE LEGEND:		
ML = MECHANICAL LOCKSET	1L = SINGLE LEAF	
EML = ELECTROMECHANICAL LOCKSET	2L = DOUBLE LEAF	
G = GRILLE DOOR	DL = DOUBLE LAYER	
S = SOLID DOOR	SW = SWING	
	SL = SLIDING	

## SAFETY2U (S2U). DETENTION, PRISON & CUSTODIAL (D.P.C). SOUTHERN FOLGER (SF): SOUTHERN STEEL, FOLGER ADAM & RR BRINK DETENTION LOCKSET & EQUIPMENT

### SAFETY2U STEEL DOOR: MECHANICAL



### SAFETY2U STEEL DOOR: ELECTROMECHANICAL LOCK (AUTOMATIC OPENING)



**S2U PANEL: WALL & WINDOW**

**MONOLITHIC**

- 3D (CAD)
- ARC.PRO
- MS

**NON MONOLITHIC**

- 3D (CAD)
- ARC.PRO
- MS

NOTE: Applicable to old/aging buildings only (HIGHER COST)

---

**S2U PANEL: ANTI VANDAL & BALLISTIC**

**MONOLITHIC**

- 3D (CAD)
- ARC.PRO
- MS

**NON MONOLITHIC**

- 3D (CAD)
- ARC.PRO
- MS

NOTE: Applicable to old/aging buildings only (HIGHER COST)

---

**S2U FILM & GLASS: ANTI-VANDAL & BALLISTIC**

**MONOLITHIC**

- 3D (CAD)
- ARC.PRO
- MS

**NON MONOLITHIC**

- 3D (CAD)
- ARC.PRO
- MS

NOTE: Applicable to old/aging buildings only (HIGHER COST)

---

**S2U ARMORY COUNTER C/W EXPENDED METAL**

**MONOLITHIC**

- 3D (CAD)
- ARC.PRO
- MS

**NON MONOLITHIC**

- 3D (CAD)
- ARC.PRO
- MS

NOTE: Applicable to old/aging buildings only (HIGHER COST)

#### SWING D.P.C MECHANICAL LOCKS

- SF 10 SERIES DEADLOCK**
    - 3D (CAD)
    - ARC.PRO
    - N.S
    - CERT
  - SF 80 SERIES DEADLOCK**
    - 3D (CAD)
    - ARC.PRO
    - N.S
    - CERT
  - SF 70 SERIES SLAM-SHUT**
    - 3D (CAD)
    - ARC.PRO
    - N.S
    - CERT
  - 105 HEAD & FOOTBOLT**
    - 3D (CAD)
    - ARC.PRO
    - N.S
  - \*DETENTION MORTISE DEADLOCK**
    - 3D (CAD)
    - ARC.PRO
    - N.S
  - \*DETENTION MORTISE SLAM-SHUT**
    - 3D (CAD)
    - ARC.PRO
    - N.S
- \*as requested by end user

#### SLIDING D.P.C MECHANICAL LOCKS

- SF 30 SERIES DEADLOCK**
    - 3D (CAD)
    - ARC.PRO
    - N.S
  - 105 HEAD & FOOTBOLT**
    - 3D (CAD)
    - ARC.PRO
    - N.S
  - \*DETENTION AUTOMATIC LOCK**
    - 3D (CAD)
    - ARC.PRO
    - N.S
- \*as requested by end user

#### SWING D.P.C EML LOCKS

- SF 300 SERIES**
    - 3D (CAD)
    - ARC.PRO
    - N.S
    - CERT
  - SF 120 SERIES**
    - 3D (CAD)
    - ARC.PRO
    - N.S
    - CERT
  - \*DETENTION ELECTRICAL STRIKE**
    - 3D (CAD)
    - ARC.PRO
    - N.S
- \*as requested by end user

#### SLIDING D.P.C EML LOCKS

- SF 58 SERIES**
    - 3D (CAD)
    - ARC.PRO
    - N.S
    - CERT
  - \*DETENTION AUTOMATIC LOCK**
    - 3D (CAD)
    - ARC.PRO
    - N.S
- \*as request by end user

#### SWING AND SLIDING MECHANICAL LOCKS COMPONENTS

- DETENTION HINGES**
  - 3D (CAD)
  - ARC.PRO
  - N.S
- DETENTION ESCUTCHEON**
  - 3D (CAD)
  - ARC.PRO
  - N.S
- DETENTION BOLT KEEPER**
  - 3D (CAD)
  - ARC.PRO
  - N.S
- MOUNTING BOX & PLATE**
  - 3D (CAD)
  - ARC.PRO
  - N.S
- DETENTION SECURITY SCREW**
  - 3D (CAD)
  - ARC.PRO
  - N.S
- EMERGENCY SECURITY LATCH**
  - 3D (CAD)
  - ARC.PRO
  - N.S

#### SLIDING MECHANICAL LOCKS COMPONENTS

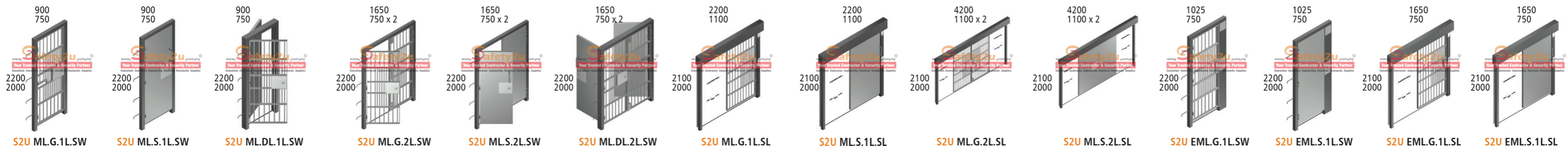
- DETENTION TRACK SET**
  - 3D (CAD)
  - ARC.PRO
  - N.S
- DETENTION STRIKE PLATE**
  - 3D (CAD)
  - ARC.PRO
  - N.S

#### SWING AND SLIDING EML LOCKS COMPONENTS

- DETENTION HINGES**
  - 3D (CAD)
  - ARC.PRO
  - N.S
- DETENTION STRIKE PLATE**
  - 3D (CAD)
  - ARC.PRO
  - N.S
- SF MRS DOOR SWITCH**
  - 3D (CAD)
  - ARC.PRO
  - N.S
- MOUNTING BOX & PLATE**
  - 3D (CAD)
  - ARC.PRO
  - N.S
- DETENTION SECURITY SCREW**
  - 3D (CAD)
  - ARC.PRO
  - N.S
- EMERGENCY SECURITY LATCH**
  - 3D (CAD)
  - ARC.PRO
  - N.S

#### SLIDING EML LOCKS COMPONENTS

- DETENTION TRACKSET**
  - 3D (CAD)
  - ARC.PRO
  - N.S



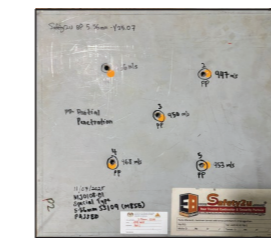
## OUR LEVEL AND AREAS OF SECURITY

ROOMS	INNER (BUILDING)
CELL DOOR	BLACK MARIA
MAIL ROOM	INDOOR CORRIDOR
EXERCISE AREA	AIRLOCK (SALLY PORT)
LAUNDRY ROOM	EMERGENCY STAIRCASE
FORENSIC ROOM	
ARMORY COUNTER	MIDDLE (GROUNDS)
STRONG / PANIC ROOM	OUTDOOR WALKWAY
INTERROGATION ROOM	MANHOLE / MAIN COVER
ARMORY / WEAPONS ROOM	
SERVICE, RISER, HOSE ROOM	
IDENTIFICATION / VISITOR ROOM	OUTER (PERIMETER)
CONTRABAND / EVIDENCE ROOM	WATCHTOWER
CCTV, DOCUMENT, SERVER ROOM	INMATE PASSAGEWAY
CENTER CONTROL / OFFICER GUARD ROOM	MAIN ENTRANCE GATE / FENCE
HAZARDOUS / NARCOTIC / UTILITIES STORAGE ROOM	

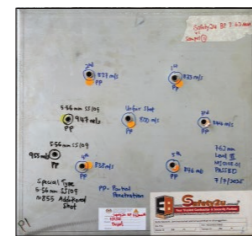
### SAFETY2U DOORS

- 1) ULTIMATE SPECIALTY DOORS**
  - Wind load resistant fire-rated door
  - Blast resistant door
  - Airtight door
  - Water resistant door
  - Acoustic metal door
- 2) EXCEPTIONAL INTERIOR DOORS**
  - Steel interior door
- 3) SUPERIOR FIRE-RATED SHUTTERS**
  - Steel fire roller shutter
  - Fabric fire-rated roller shutter
  - Stacking fabric fire-rated shutter
- 4) PREMIUM FIRE-RATED DOORS**
  - Performance fire-rated door
  - Standard fire-rated door
  - Glazed fire-rated door
  - Oversized steel fire-rated door

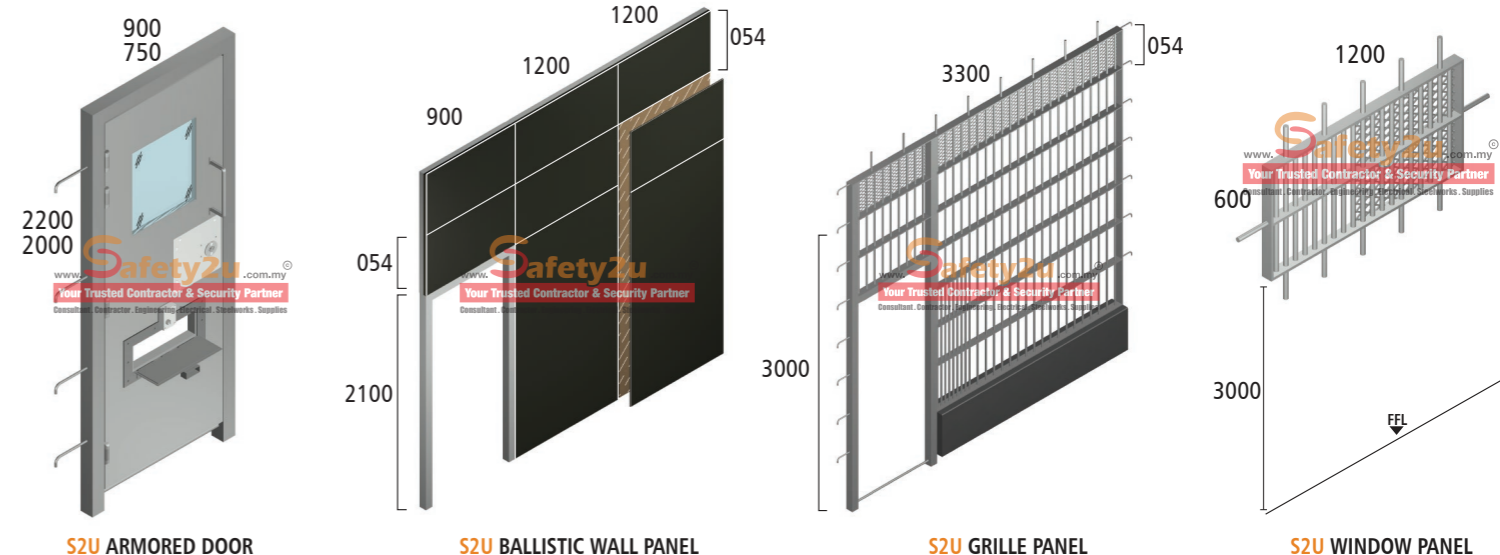
Safety2u Test Standard for Bulletproof Panel @ Door 9mm - NIJ STD 0108.01 (111A)



Safety2u Test Standard for Bulletproof Panel @ Door 7.62mm - NIJ STD 0108.01 (111)



Safety2u Test Standard for Film & Glass 9mm - AS INZS 2343 - 1997 (GO)



\*Illustration purposes only